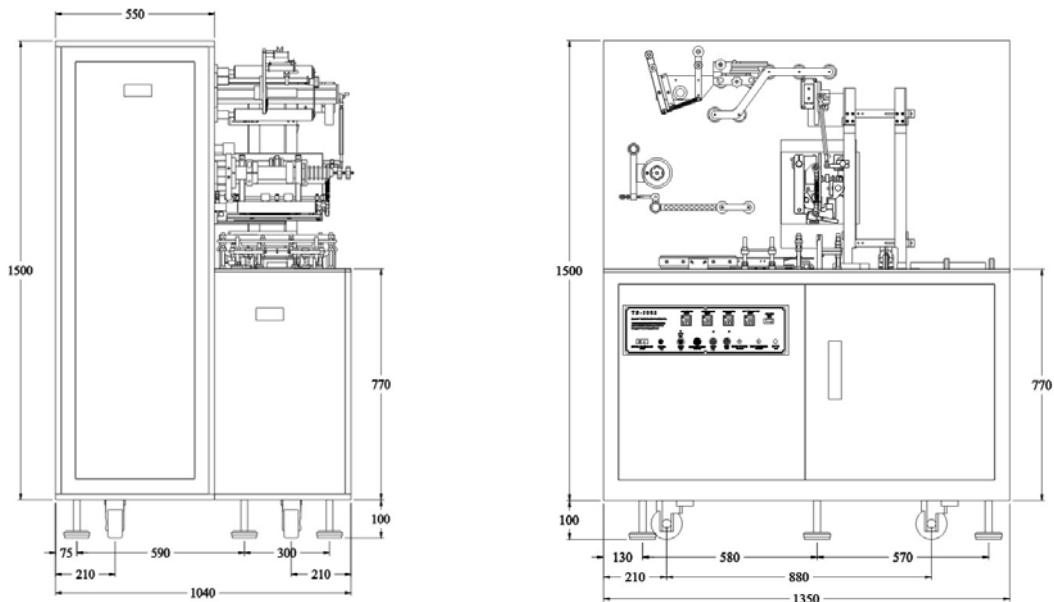




## Silo TS 2002 Overwrapping machine

- ▶ It is a versatile machine that can handle wide range of products.
- ▶ Industries from the computer products, perfume and cosmetic, cigarette, CD/DVD, and food sector have all used the machine.
- ▶ It is a sophisticated machine but very user friendly.
- ▶ Wrapping speed is adjustable.
- ▶ For CD/DVD industry, it works well with other auto packaging machines.
- ▶ Conveyor belt and collection table are offered as an option.



Technical Specifications	
Machine Dimension :	1350 x 1040 x 1640mm
Power :	110VAC Single Phase 2500W
Motor :	2Hp
Speed :	Adjustable with Max 50pcs/min.
Standard Packaging Dimension :	(Max) 145mm(L) X 220mm(W) X 30mm(H) Can be custom made to fit your request
Machine Weight :	GW950KG, NW 850KG
Crate size :	3.2CBM

### Solstice Technologies

For more information call toll free 1-866-357-4321 or e-mail: <mailto:sales@solstice-inc.com>

Ph: 240-235-0602 Fax: 240-359-4090