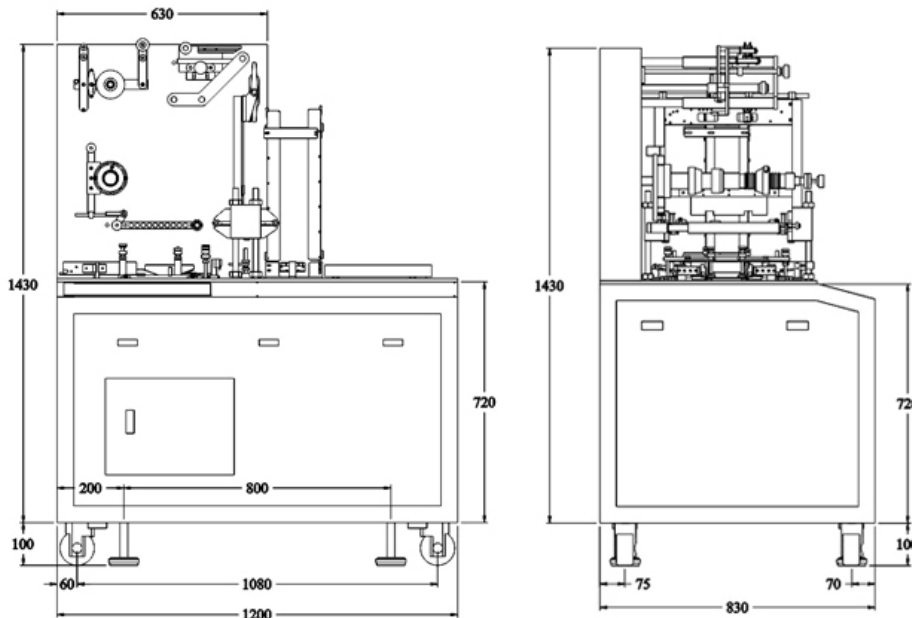




Silo JT 50 Overwrapping machine

- ▶ Designed and built for small to mid-size companies with limited floor space.
- ▶ The JT50 may be converted to overwrap CD and DVD cases
- ▶ The speed is about 45ppm, offer companies with an easy, reliable, low maintenance solution for overwrapping.
- ▶ Special configurations are available depending on customer needs.
- ▶ Conveyor belt and collection table are offered as an option.



Technical Specifications	
Machine Dimension :	1200 x 830 x 1430mm
Power :	110VAC Single Phase 2500W
Motor :	1Hp
Speed :	45PPM.
Standard Packaging Dimension :	CD 10.4mm/5.2mm DVD 14mm/7mm
Machine Weight :	GW500KG, NW 480KG
Crate size :	2.6CBM

Solstice Technologies

For more information call toll free 1-866-357-4321 or e-mail: <mailto:sales@solstice-inc.com>

Ph: 240-235-0602 Fax: 240-359-4090